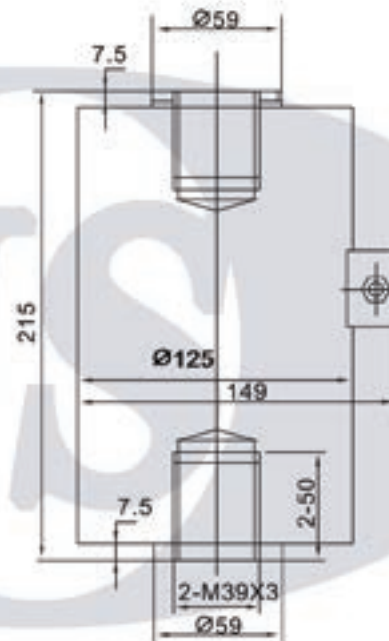
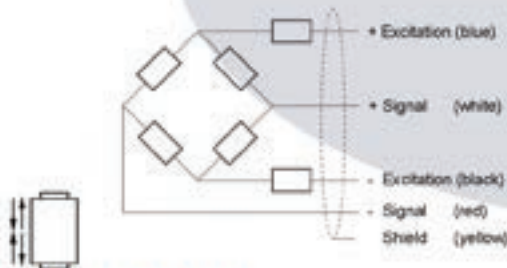


MK - CTS



FEATURE:

- Dual function compression and tension installation
- Hermetically sealed IP68 class protection
- High accuracy
- 6 core high quality orange cable
- Can use for testing machine, crane, mining, hopper, tank, axle, etc



SPECIFICATION

Rated capacities (E _{max})	5,10,15,20t	Temperature, compensated	-10°C~+40°C
Rated Output	2.0±0.005mV/V	Temperature, operating	-30~+70°C
Total error	±0.05%F.S	Maximum safe overload	120%F.S
Creep error (30 min)	±0.03%F.S	Ultimate overload	150%F.S
Zero balance	±1%F.S	Excitation, recommended	10~12V DC
TC ZERO	±0.03%F.S/10°C	Excitation, maximum	15V DC
TC SPAN	±0.03%F.S/10°C	Protection class	IP68
Input resistance	400±20Ω	Construction	Alloy Steel
Output resistance	352±20Ω	Cable	Length:3m
Insulation resistance	≥5000MΩ		Diameter: Φ 8mm