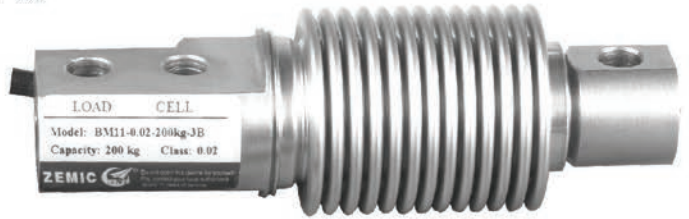


# Datasheet: BM11 load cell



- Stainless steel IP68 bending beam point load cell
- Hermetically closed
- Suitable for pallet, platform and small hopper scales
- High accuracy



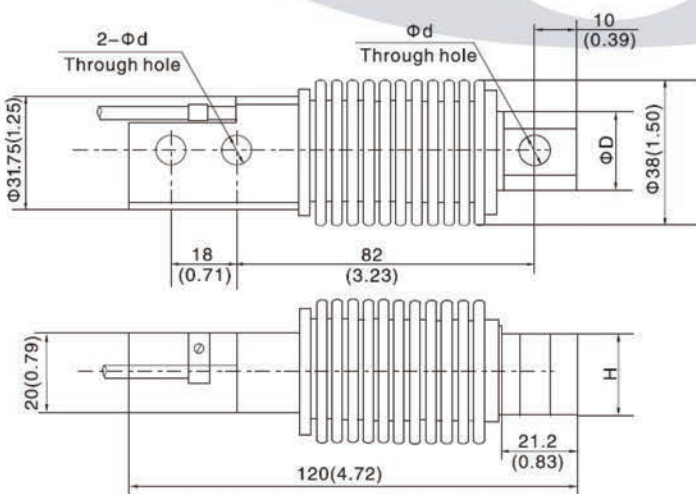
Capacity	Accuracy	Part-Number
10 kg	C3	BM11-C3-10kg-3B-SC <sup>1</sup>
20 kg	C3	BM11-C3-20kg-3B-SC
30 kg	C3	BM11-C3-30kg-3B-SC
50 kg	C3	BM11-C3-50kg-3B-SC
100 kg	C3	BM11-C3-100kg-3B-SC
200 kg	C3	BM11-C3-200kg-3B-SC
350 kg	C3	BM11-C3-350kg-3B-SC
500 kg	C3	BM11-C3-500kg-3B-SC

## Specification:

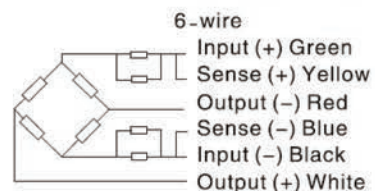
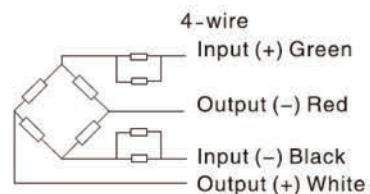
		OIML R60 C3	
Output sensitivity (= FS)	mV/V	2.0 ± 0.2	
Maximum capacity (E <sub>max</sub> )	kg	10 <sup>1</sup> , 20, 30, 50, 100	200, 350, 500
Maximum number of load cell intervals (n <sub>LC</sub> )		3000	
Ratio of minimum LC verification interval Y = E <sub>max</sub> / v <sub>min</sub>		10000 - 15000	6000
Combined Error	%FS	± 0.020	
Minimum dead load	kg	0	
Safe overload	of E <sub>max</sub>	150 %	
Ultimate overload	of E <sub>max</sub>	300 %	
Zero balance	of FS	< ± 1.0 %	
Excitation, recommended voltage	V	5 ~ 12	
Excitation maximum	V	18	
Terminal resistance, input	Ω	430 ± 50	
Terminal resistance, output	Ω	351 ± 2	
Insulation impedance	MΩ	≥5000 ( at 50VDC )	
Temperature range, compensated	°C	-10 ~ +40	
Temperature range, operating	°C	-35 ~ +65	
Element material		Stainless steel	
Ingress Protection (according to EN 60529)		IP68	
Recommended torque on fixation bolts	Nm	M8(20-50kg):15	M8(<300kg):25 M10:40
ATEX classification (optional)		II1G Ex ia II1C T4	II1D Ex ia D 20 T73°C II3G nL IIC T4

Note 1: 10kg pending OIML approved

## Outline Dimensions in mm (inch)



Capacity (kg)	5, 10, 20, 30, 50	100, 200, 300	350, 500
Dimension			
d	8.2 (0.32)	10.3 (0.41)	
D	23 (0.91)	24 (0.94)	
H	20 (0.79)	19 (0.75)	



### Wiring:

Both 4 and 6 conductor wires are available on customers' requirements.  
Cable diameter: φ5 mm  
Standard length for 4 conductor cable: 3m  
Standard length for 6 conductor cable: 6m  
Shield not connected to element