

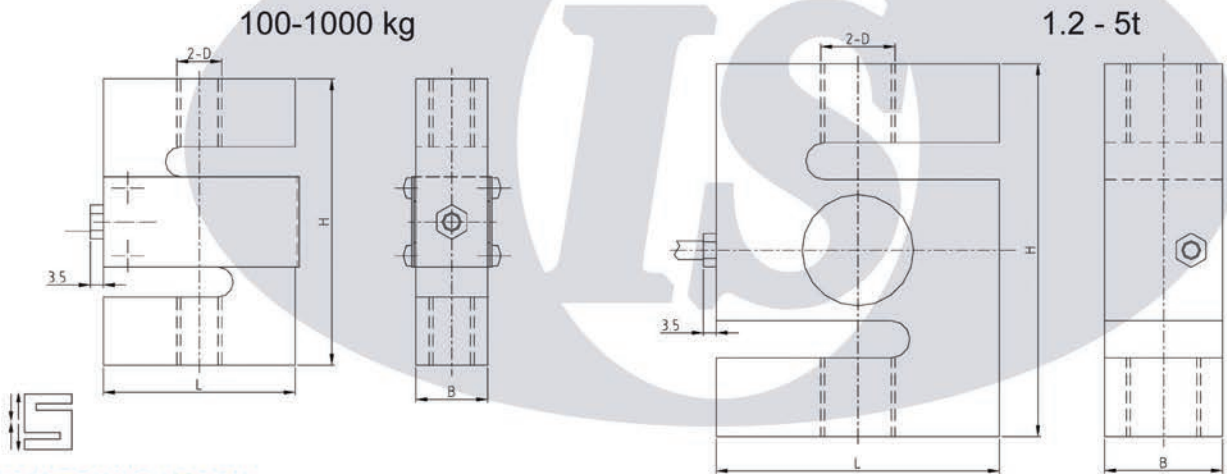
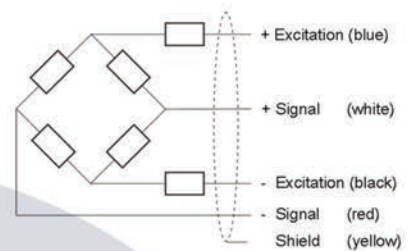
MK - TSH



FEATURE:

- High precision, reliability and super stability
- Design of metal welded stainless steel
- Easy to installation, good interchangeability
- Constructed of excellent capability in anti erosion, moisture proof
- Suitable in crane, hopper scales, and other special weighing instruments
- 5 core high quality orange cable

Rated Load (kg)	D	L	H	B
100-750	M12	51	76.2	19.1
1000	M12	51	76.2	25.4
1200-5000	M20x1.5	76.2	100.4	31.8



SPECIFICATION

Rated capacities (E _{max})	100,150,200,250,300,500,750kg;1,1.2,1.5,2,3,5	Temperature, compensated	-10°C~+40°C
Rated Output	2.0±0.003mV/V	Temperature, operating	-30°C~+70°C
Accuracy class	C3	Maximum safe overload	120%F.S
Total error	±0.05%F.S	Ultimate overload	150%F.S
Zero balance	±1%F.S	Excitation, recommended	10-12V DC
TC ZERO	±0.02%F.S/10°C	Excitation, maximum	15V DC
TC SPAN	±0.02%F.S/10°C	Protection class	IP68
Input resistance	400±20Ω	Construction	Nickel Plated Steel
Output resistance	352±3Ω	Cable	Length: 5m
Insulation resistance	≥5000MΩ		Diameter: Φ 5mm

