



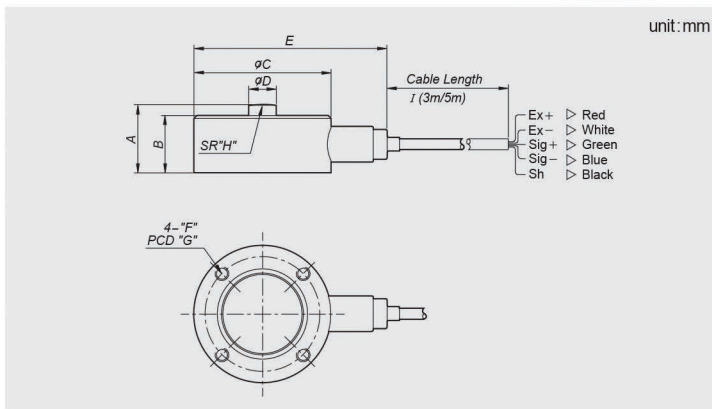
## FEATURES

- Miniature dimension
- Compression application
- Application for limited space
- Protection class IP67

## SPECIFICATIONS

Max. capacity	kgf	50, 100, 200, 500, 1tf, 2tf, 5tf, 10tf, 20tf
Rated output	mV/V	2.0 ± 0.005
Zero balance	mV/V	0 ± 0.06
Combined error	%	0.15
Repeatability	%	0.05
Creep for 30min.	%	0.03
Temperature effect on		
Zero Value	%/10°C	0.05
Output value	%/10°C	0.10
Excitation		
Recommended	V	10
Maximum	V	15
Resistance		
Input	Ω	420 ± 30
Output	Ω	350 ± 3.5
Insulation	MΩ	> 2,000
Compensated temperature range	°C	-10 to +40
Operating temperature range	°C	-20 to +80

## DIMENSIONS



### Material

Stainless Steel  
Paint finished steel (5tf - 20tf)

### Cable

Braided shield 4-wire round cable with Urethane-jacket

Model	Capacity	A	B	øC	øD	E	F	G	H	I
MNC-50L	50kgf	25	21	50	10	68	M5 × 0.8 dp7	42	50	3m
MNC-100L	100kgf									
MNC-200L	200kgf									
MNC-500L	500kgf									
MNC-1	1tf									
MNC-2	2tf	40	35	98	20	115	M6 × 1.0 dp8	72	150	5m
MNC-5	5tf									
MNC-10	10tf									
MNC-20	20tf									