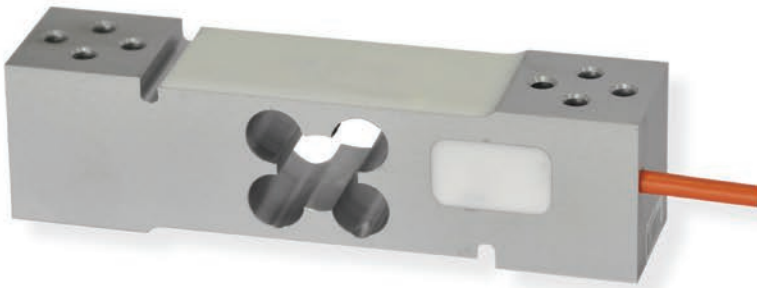
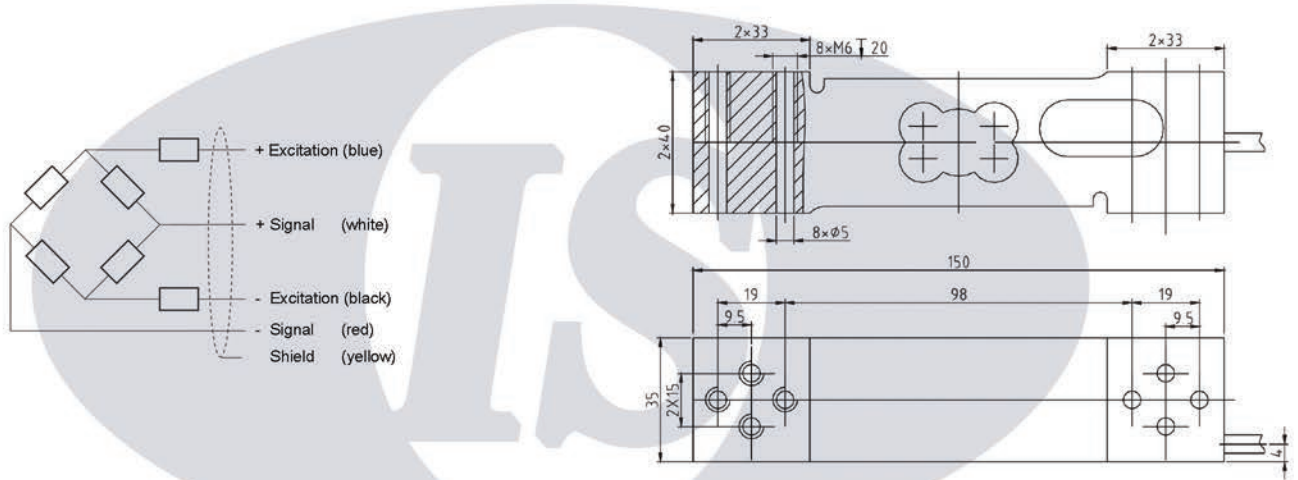


MK - SPC



FEATURE:

- Small to high capacity versatile single point load cell
- Suitable for most simple weighing scale in industrial use
- Typical applications often include bench scale, packaging machines, filling machines, industrial process control
- Use high quality anodize aluminium



SPECIFICATION

Rated capacities (Emax)	15,20,30,35,50,60,100,150,200,300 kg	Temperature, compensated	-10°C~+40°C
Rated Output	2.0±0.2mV/V	Temperature, operating	-20°C~+50°C
Accuracy class	OIML C3	Maximum safe overload	150%Emax
Creep error (30min)	±166ppm	Ultimate overload	300%Emax
Zero balance	±3%Emax	Excitation, recommended	10V DC
TC ZERO	±17.5ppm/°C	Excitation, maximum	15V DC
TC SPAN	+20°C~+40°C, ±17.5ppm/°C	Protection class	IP65
	-10°C~+20°C, ±11.67ppm/°C	Construction	Anodized Aluminium
Input resistance	404±15Ω	Cable	Length: 1.8m
Output resistance	350±3Ω	Cable	Diameter: Φ 5mm
Insulation resistance	≥2000MΩ (50V DC)	Installation torque, recommended	10N-m
Max platform size	400x400mm		