

RoHS 



- Aluminium-Alloy IP65 single point load cell
- Colourless anodized
- Suitable for single & double load cells structured platform scales.
- Maximum platform size: 600 x 600 mm

OIML

IP65

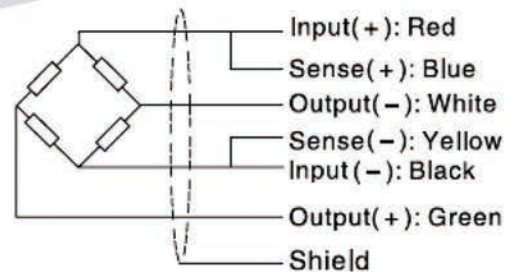
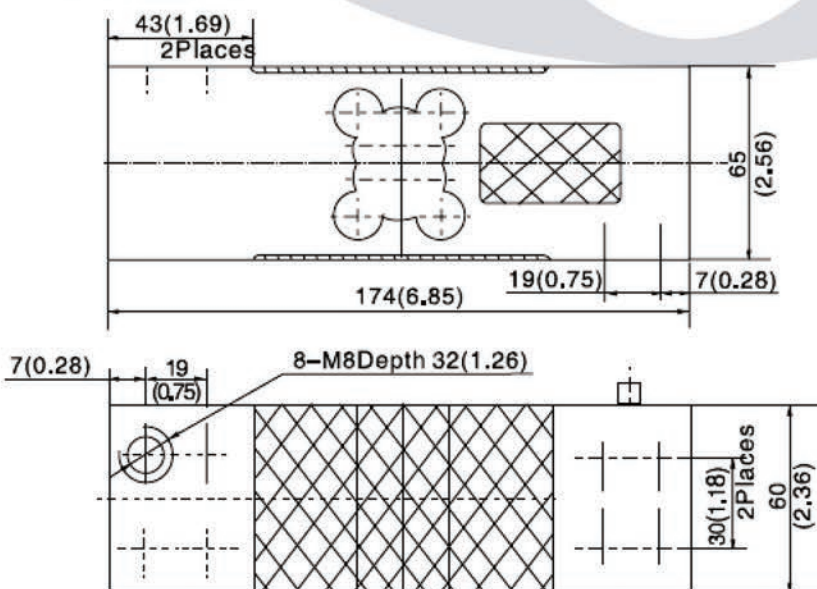
Capacity	Accuracy	Part-Number
50 kg	C3	L6G-C3-50kg-3G6 (-R1)
100 kg	C3	L6G-C3-100kg-3G6 (-R1)
150 kg	C3 & C4	L6G-C4-150kg-3G6 (-R1)
200 kg	C3 & C4	L6G-C4-200kg-3G6 (-R1)
250 kg	C3 & C4	L6G-C4-250kg-3G6 (-R1)
300 kg	C3 & C4	L6G-C4-300kg-3G6 (-R1)
500 kg	C3 & C4	L6G-C4-500kg-3G6 (-R1)
600 kg	C3 & C4	L6G-C4-600kg-3G6 (-R1)

## Specification:

Accuracy class		OIML R60 C3	OIML R60 C4
Output sensitivity (= FS)	mV/V	2.0 ± 0.2	
Maximum capacity (E <sub>max</sub> )	kg	50, 100, 150, 200, 250, 300, 500, 600	150, 200, 250, 300, 500, 600
Maximum number of load cell intervals (n <sub>LC</sub> )		3000	4000
Ratio of minimum LC verification interval Y = E <sub>max</sub> / v <sub>min</sub>		12000	15000
Combined Error	%FS	≤ ± 0.0200	≤ ± 0.0170
Minimum dead load	kg	0	
Safe overload	of E <sub>max</sub>	150 %	
Ultimate overload	of E <sub>max</sub>	300 %	
Zero balance	of FS	≤ ± 2.0 %	
Excitation, recommended voltage	V	5 ~ 12	
Excitation maximum	V	18	
Terminal resistance, input	Ω	409 ± 6 / 1065 ± 15 <sup>1</sup>	409 ± 6
Terminal resistance, output	Ω	350 ± 3 / 1000 ± 5 <sup>1</sup>	350 ± 3
Insulation impedance	MΩ	≥ 5000 (at 50VDC)	
Temperature range, compensated	°C	-10 ~ +40	
Temperature range, operating	°C	-35 ~ +65	
Element material		Aluminium	
Recommended torque on fixation bolts	Nm	20	
Ingress Protection (according to EN 60529)		IP65	

Note: 1 1000 Ohm types (designated as R1), has no OIML approval

## Outline Dimensions in mm



• Dimensions and specifications are subject to change without notice.

### Wiring:

- Adopt a shielded, 6 conductor cable, and cable jacket is PVC.
- Cable length: 3.0 ± 0.1m.
- Cable diameter: 6.0 ± 0.2mm.
- The shield is connected to the element.