

OIML test certificate no. TC8011 revision 0

OIML C of C no. R60/2000-NL1 11.29

NTEP certificate no. 12-017



- Stainless steel IP69K single point load cell
- Suitable for platform, belt scales and other weighing devices
- Recommended platform size: 800 x 800 mm (100 – 500 kg)
- Recommended platform size: 400 x 400 mm (10 – 50 kg)

	Accuracy	Part-Number
10 kg ^{1,2}	Cx / C4 MR ^{1,2}	BM6G-Cx-10kg-3B6
20 kg ²	Cx / C4 MR ²	BM6G-Cx-20kg-3B6
50 kg ²	Cx / C4 MR ²	BM6G-Cx-50kg-3B6
100 kg	Cx	BM6G-Cx-100kg-3B
150 kg	Cx	BM6G-Cx-150kg-3B
200 kg	Cx	BM6G-Cx-200kg-3B
300 kg	Cx	BM6G-Cx-300kg-3B
400 kg	Cx	BM6G-Cx-400kg-3B
500 kg	Cx	BM6G-Cx-500kg-3B

Specifications:

		OIML C3	OIML C4	OIML C5
Accuracy class				
Output sensitivity (= FS)	mV/V		2.0 ± 0.2	
Maximum capacity (E _{max})	Kg ¹	10 ^{1,2} , 20 ² , 50 ² , 100, 150, 200, 300, 400, 500		
Maximum number of load cell intervals (n _{LC})	N _{LC}	3000	4000	5000
Ratio of minimum LC verification interval Y = E _{max} / v _{min}	Y	10000	15000	20000
Minimum Dead Load Output Return (Z = ½ * E _{max} / DR)	Z	3000	4000	5000
Combined Error	%FS	≤ ± 0.020	≤ ± 0.0175	≤ ± 0.014
Minimum dead load	kg		0	
Safe overload	of E _{max}		150 %	
Ultimate overload	of E _{max}		300 %	
Zero balance	of FS		≤ ± 2.0 %	
Excitation, recommended voltage	V		5 ~ 12	
Excitation maximum	V		18	
Input resistance	E _{max} kg Ω	10, 20, 50 380 ± 15	100, 150, 200, 300, 400, 500 350 ± 3,5	
Output resistance	Ω		350 ± 3,5	
Insulation impedance	MΩ		≥ 5000 (at 50VDC)	
Temperature range, compensated	°C		-10 ~ +40	
Temperature range, operating	°C		-35 ~ +65	
Element material			Stainless steel 1.4548	
Ingress Protection			IP68/IP69K	
Recommended torque on fixation bolts	Nm	10–50 kg: 10	100–500 kg: 20	
ATEX classification		II1G Ex ia II1C T4	II1D Ex iaD 20 T73°C	II3G nL IIC T4

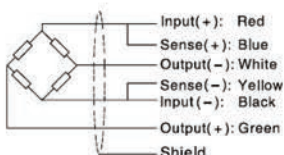
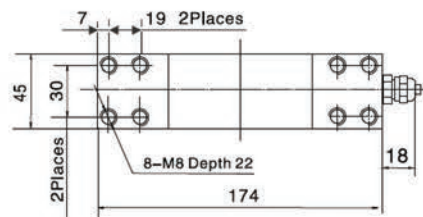
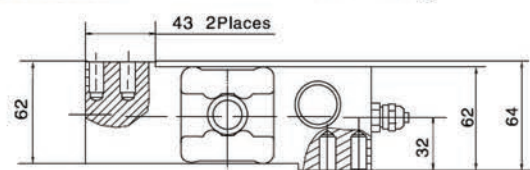
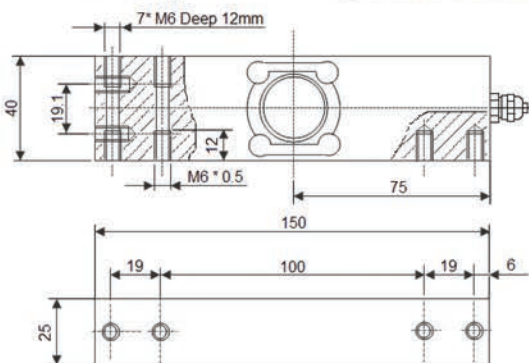
Note 1: 10kg capacity only available with PTB approval. PTB certificate D09-10.06 revision 1, C of C R60/2000 DE1-10.02.

Note 2: 10kg, 20kg and 50kg also available with C4MR approval, Y=40.000, Z=6.000 with PTB certificate D09-10.06 revision 1, C of C R60/2000 DE1-10.02.

10 – 50 kg

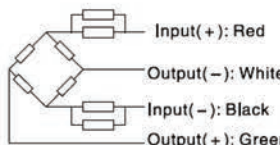
Outline Dimensions in mm

100 – 500 kg



Wiring:

- Shielded, 6 conductor cable.
- Standard cable length : 3m.
- Shield not connected to element.



Wiring:

- Shielded, 4 conductor cable.
- Standard cable length : 3m.
- Cable type and cable length for customer's own application are available on request.
- Shield not connected to element.