

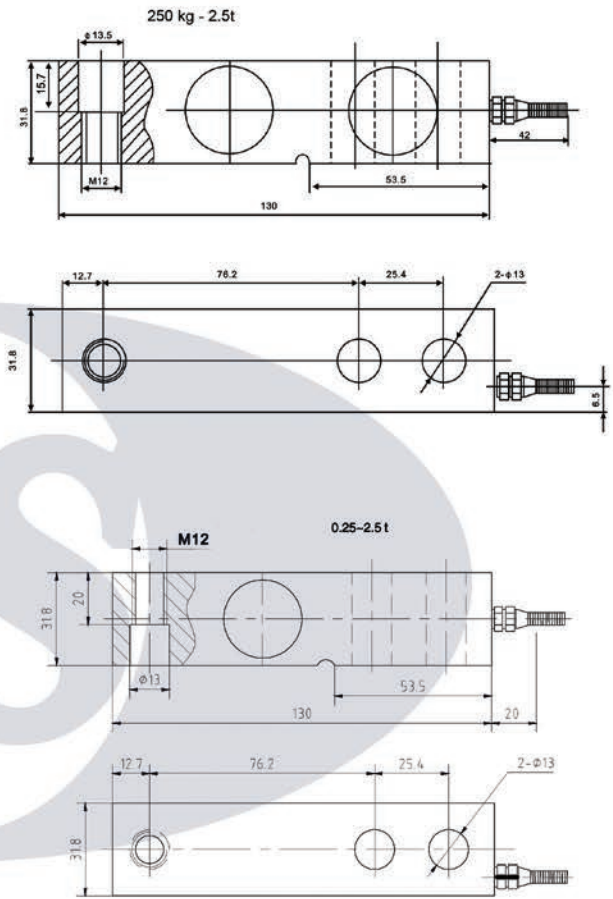
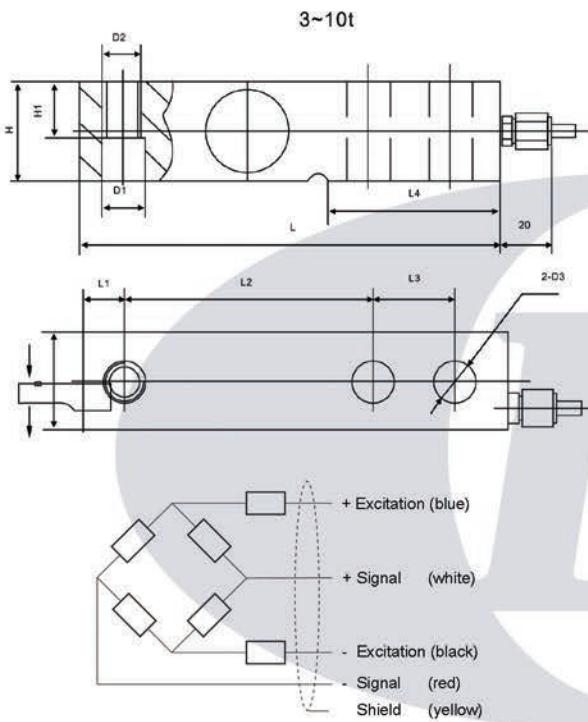
# MK - SLB SS



**FEATURE:**

- High quality shear beam load cell
- Stainless steel with anti corrosive
- Standard leveling foot for universal application
- Can use for forklift, pallet, silo, hopper, low platform scale
- 5 core high quality orange cable

Rated Load (t)	L	L1	L2	L3	L4	H/B	H1	D1	D2	D3
3,5	171.5	19	95.3	38.1	72.5	38.1	26	Φ20	M18x1.5	Φ20
7,5-10	225.5	25.3	124	50.8	102	50.8	25.4	Φ27	M24x2	Φ27



## SPECIFICATION

Rated capacities (E <sub>max</sub> )	0.25,0.3,0.5,0.75,1,1.5,2,2.5,3,5,7.5,10t	Temperature, compensated	-10°C~+40°C
Rated Output	3.0±0.003mV/V(0.5-10t);2.0±0.002mV/V(0.25-0.3t)	Temperature, operating	-30°C~+70°C
Accuracy class	C5	Maximum safe overload	150%F.S
		Ultimate overload	180%F.S
Zero balance	±1%F.S	Excitation, recommended	10-12V DC
TC ZERO	±0.02%F.S/10°C	Excitation, maximum	15V DC
TC SPAN	±0.02%F.S/10°C	Protection class	IP67(0.2-0.75t);IP68(1-10t)
Input resistance	400±20Ω	Construction	Stainless Steel
Output resistance	352±3Ω	Cable Length	3m(0.25-2.5t),4.2m(3-5t),5m(7.5-10t)
Insulation resistance	≥5000MΩ	Diameter	Φ5mm(0.25-5t;0.25-0.3t);Φ6mm(7.5-10t;0.5-10t)

