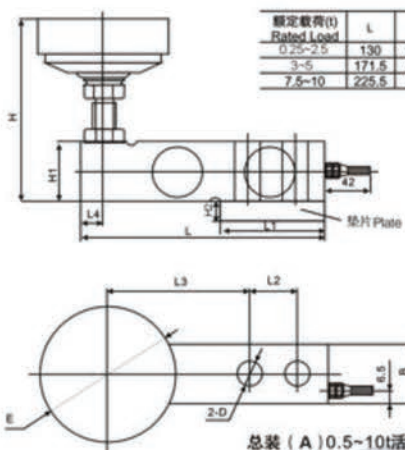




Description



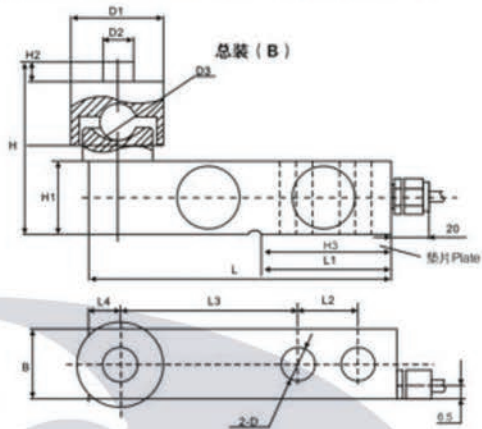
总装 (A) 0.5-10t活动压头附件

Installation A: foot accessories

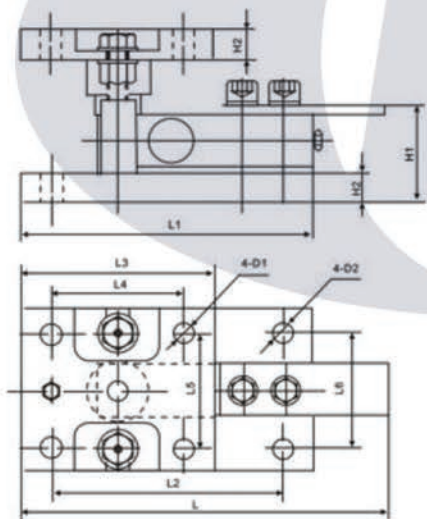
额定载荷(t) Rated Load	L	L1	L2	L3	L4	B	H	H1	H2	D	E
0.25-2.5	130	53.5	25.4	76.2	12.7	31.8	85-90	31.8	4	±13	±62
3-5	171.5	72.5	38.1	95.3	19	38.1	104-114	38.1	6	±20	±62
7.5-10	225.5	102	50.8	124	25.3	50.8	132-144	50.8	8	±27	±80

额定载荷(t) Rated Load	L	L1	L2	L3	L4	B	H	H1	H2	H3	D	D1	D2	D3
0.25-2.5	130	53.5	25.4	76.2	12.7	31.8	77.8	31.8	12	4	±13	±38	±12	S±16
3-5	171.5	72.5	38.1	95.3	19	38.1	94.1	38.1	10	7	±20	±50	±18	S±20
7.5-10	225.5	102	50.8	124	25.3	50.8	130	50.8	10	8	±27	±64	±20	S±32

总装 (B) 0.5-10t钢球压头附件 Installation B: foot accessories



总装 (D) 称重模块
Installation (D) weighing module



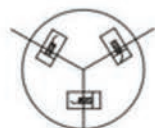
额定载荷(t) Rated Load	H	H1	H2	B1	B2	D1	D2	L	L1	L2	L3	L4	L5	L6
0.5, 1, 1.5, 2, 2.5	106	58	18	100	100	±13	±13	210	175	140	116	80	70	70
3.5	135	73	23	160	160	±17	±17	270	235	200	160	100	90	90

0.5-5t称重模块

Weighing module installation



径向安装 Radial mouting



切向安装 Cutting mouting



矩形安装 Rectang mouting