

MK - LS

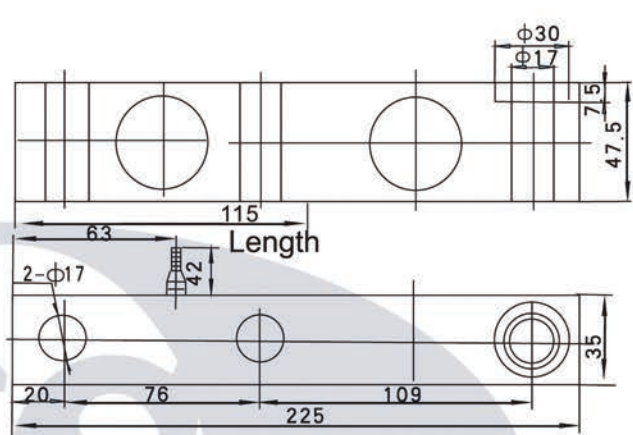
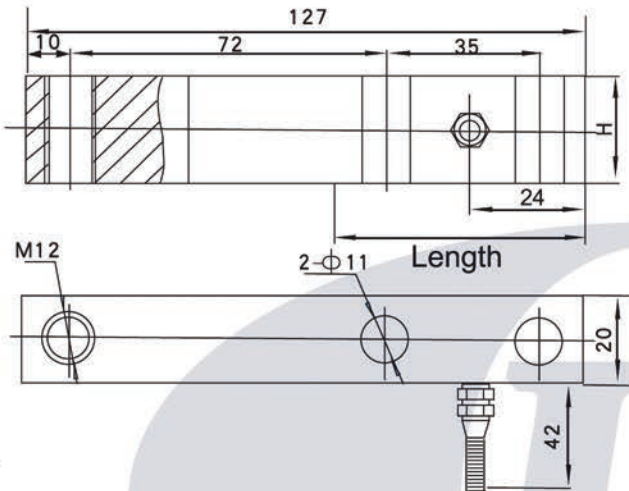


FEATURE:

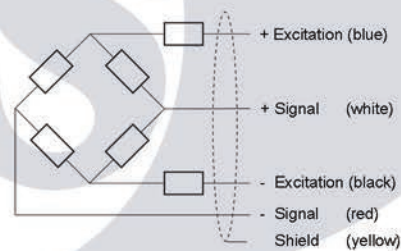
- Low profile shear beam
- Small to high capacity available
- Nickel plated steel with anti corrosive
- Easy installation
- 5 core high quality orange cable

50kg~1t

5t



Rated Load (kg)	H
50-250	18
500-1000	24



SPECIFICATION

Rated capacities (E _{max})	50, 100, 150, 200, 500kg; 1, 5t	Temperature, compensated	-20°C~+40°C
Rated Output	1.6±0.002mV/V(50kg); 1.9±0.002mV/V(150kg); 2.0±0.002mV/V	Temperature, operating	-40°C~+70°C
Total error	±0.03%F.S; ±0.05%F.S(5t)	Maximum safe overload	150%F.S
Creep error (30 min)	±0.02%F.S, ±0.03%F.S	Ultimate overload	200%F.S
Zero balance	±1%F.S	Excitation, recommended	10~12V DC
TC ZERO	±0.02%F.S/10°C	Excitation, maximum	15V DC
TC SPAN	±0.02%F.S/10°C	Protection class	IP67(50kg-1t); IP68(5t)
Input resistance	400±10Ω	Material	Nickel Plated Steel
Output resistance	352±3Ω	Cable	Length: 3m(50kg-1t), 5m(5t)
Insulation resistance	≥5000MΩ		Diameter: Φ 5mm(50kg-1t), Φ 6mm(5t)