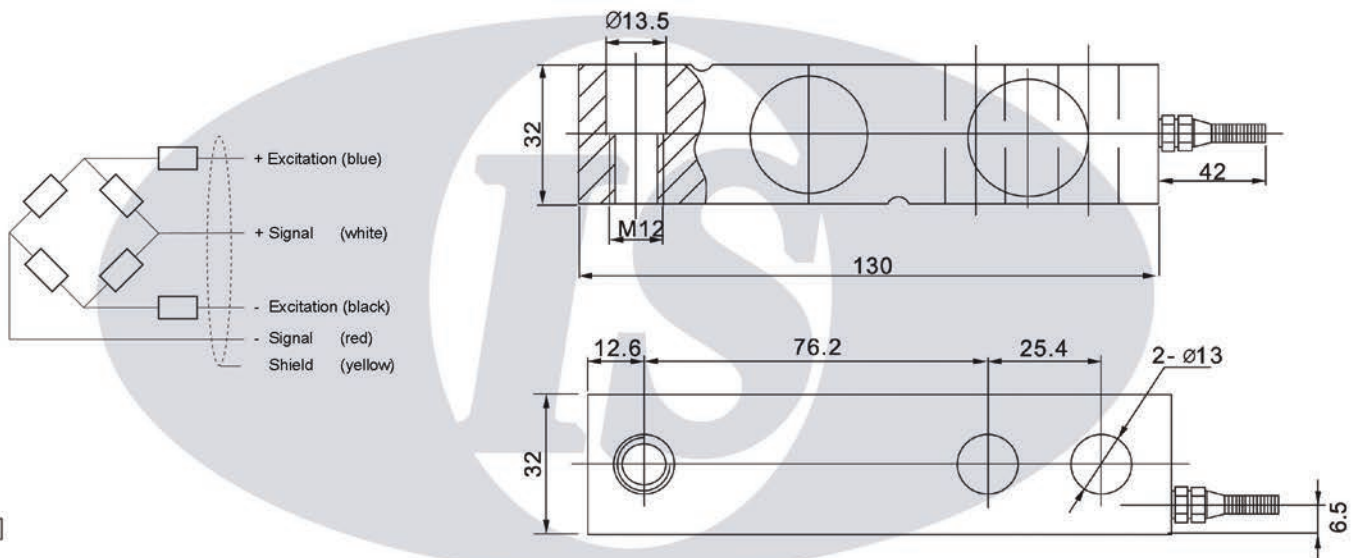


# MK - BS



**FEATURE:**

- High accuracy shear beam load cell
- Multi function load cell with many application
- Suitable for forklift, platform, and high capacity axle
- 5 core high quality orange cable
- High quality nickel plated steel
- Easy installation



## SPECIFICATION

Rated capacities (E <sub>max</sub> )	0.5, 1, 2t	Temperature, compensated	-10°C~+40°C
Rated Output	2.0±0.002mV/V	Temperature, operating	-30~+70°C
Creep error (30 min)	±0.05%F.S	Maximum safe overload	150%F.S
Zero balance	±0.02%F.S, ±0.03%F.S	Ultimate overload	180%F.S
Zero balance	±1%F.S	Excitation, recommended	10~12V DC
TC ZERO	±0.02%F.S/10°C	Excitation, maximum	15V DC
TC SPAN	±0.02%F.S/10°C	Protection class	IP68
Input resistance	400±20Ω	Construction	Nickel Plated Steel
Output resistance	352±3Ω	Cable	Length:3m Diameter: Φ 6mm
Insulation resistance	≥5000MΩ		