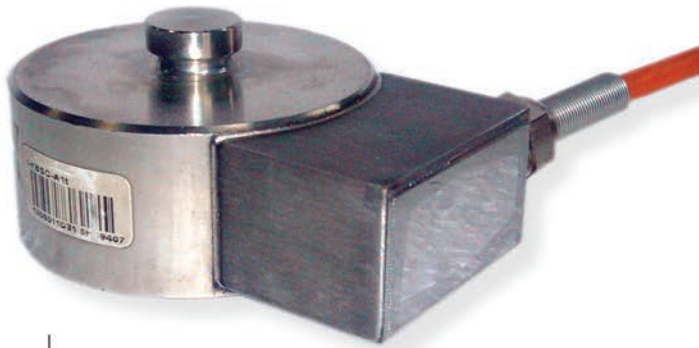


# MK - LPX

Part 1

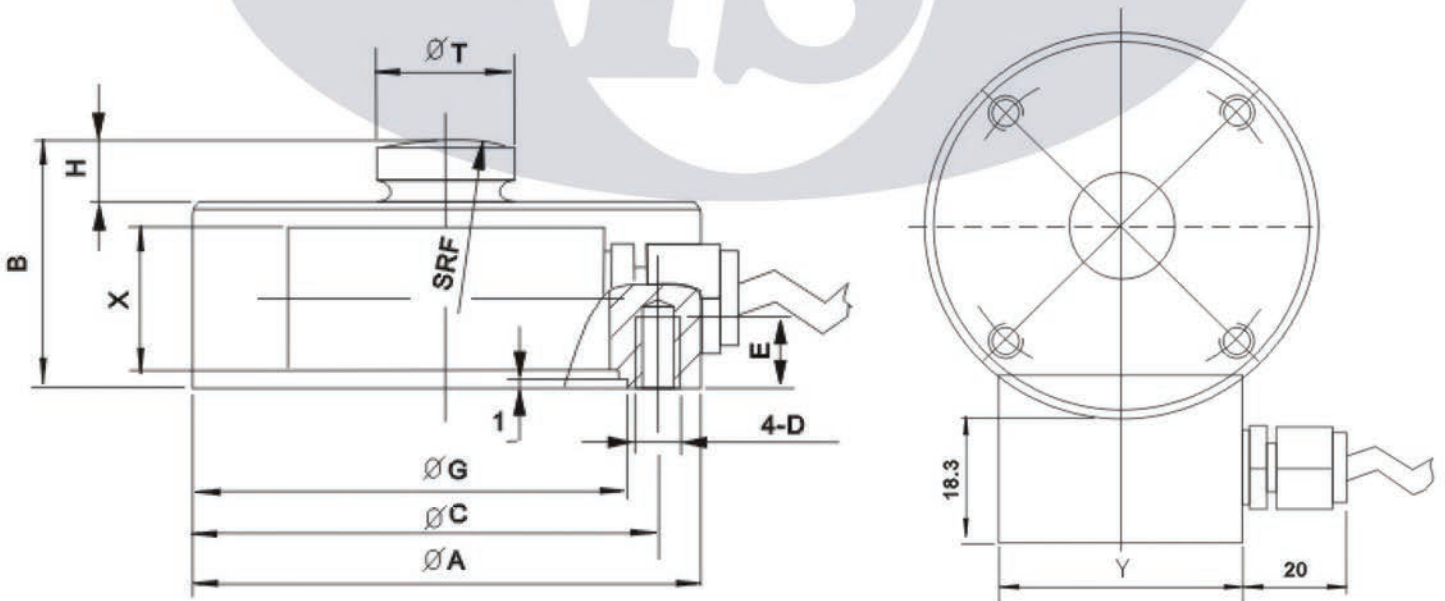


**FEATURE:**

- Low profile load cell
- LPX is finished in a corrosion resistant electroless nickel plated steel
- High precision and stability load cell
- Tank, hopper, silo application
- Hermetically sealed IP68 protection
- 5 core high quality orange cable



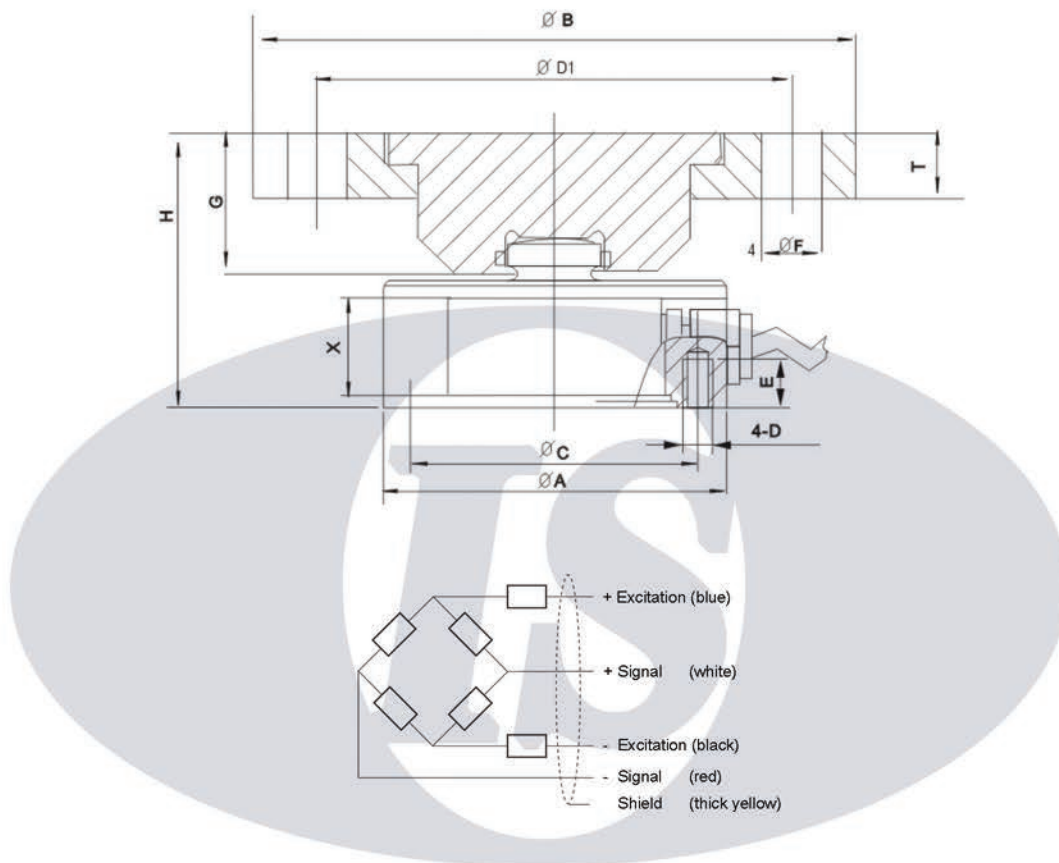
Rated Load(t)	A	B	C	D	E	F	G	H	T	X	Y
0.05-1	50	30	42	M5	7	60	34	7	13	20	35
2-5	90	48	70	M10	12	100	55	12.5	25	30	50
10-20	115	60	90	M12	16	160	68	12.5	32	30	50
30-50	155	90	125	M16	20	300	97	15.5	44	30	50



# MK - LPX

Part 2

Capacity(t)	A	B	C	D	D1	E	F	G	H	T	X
0.05-1	50	89	42	M5	70	7	9	21	46	10	20
2-5	90	89	70	M10	70	12	9	21	64	10	30
10-20	115	110	90	M12	90	16	13	27.5	80	15	30
30-50	155	147	125	M16	120	20	17	50	133	22	30



## SPECIFICATION

Rated capacities (E <sub>max</sub> )	0.1,0.2,0.5,1,2,5,10,20,30,50t	Temperature, compensated	-10°C~+40°C
Rated Output	2.0±0.05mV/V(0.05~1t);2.0±0.02mV/V(2~50t)	Temperature, operating	-30~+70°C
Total error	±0.5%F.S(0.05~1t);±0.3%F.S(2~50t)	Maximum safe overload	150%F.S
Creep error (30 min)	±0.05%F.S	Ultimate overload	180%F.S
Zero balance	±1%F.S	Excitation, recommended	10~12V DC
TC ZERO	±0.05%F.S/10°C	Excitation, maximum	15V DC
TC SPAN	±0.05%F.S/10°C	Protection class	IP68
Input resistance	400±20Ω	Construction	Nickel Plated Steel
Output resistance	352±3Ω	Cable	Length:3m(0.05~1t),6m(2~5t),12m(10~50t)
Insulation resistance	≥5000MΩ		Diameter: Φ 5mm