

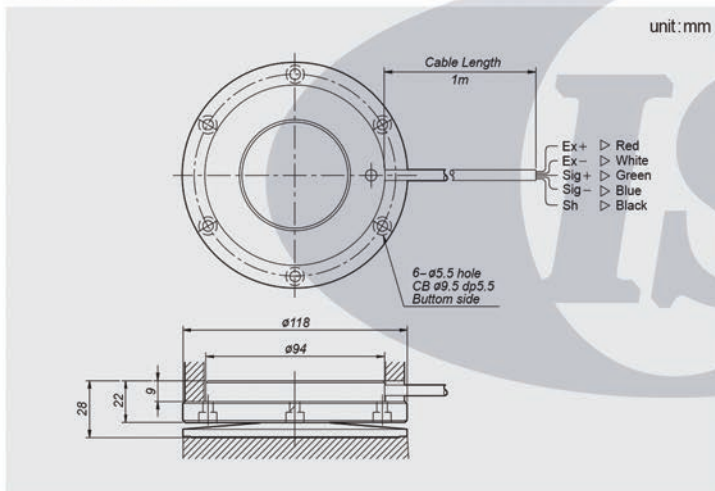
C PA Slim profile load cell, 500kgf - 5tf



FEATURES

- Low-profile
- Integrated loading base
- Low-deck high capacity scale applications

DIMENSIONS



SPECIFICATIONS

Max. capacity	500kgf, 1, 1.5, 2, 3, 5tf
Rated output	$1.7 \pm 0.17\text{mV/V}$
Zero balance	$0 \pm 0.016\text{mV/V}$
Combined error	0.14%R.O.
Repeatability	0.03%R.O.
Creep for 30min.	0.03%R.O.
Temperature effect on	
Zero Value	0.03%R.O./10°C
Output value	0.05%R.O./10°C
Excitation	
Recommended	10V
Maximum	15V
Resistance	
Input	$760 \pm 7 \Omega$
Output	$700 \pm 7 \Omega$
Insulation	$> 2,000\text{M}\Omega$
Compensated temperature range	-10 to +40°C
Operating temperature range	-40 to +70°C