

## Model LPX

**LOW PROFILE MINI DISK LOAD CELL** 25, 50, 100, 250, 500, 1000kg 2.5, 5, 10, 25, 50t

### APPLICATIONS

- Low profile platforms
- Hoppers & tank weighing
- Process weighing
- Hostile environments
- Industrial weighing
- Mini disk applications



### FEATURES

- Miniature compression type
- Replaces similar low cost models
- Rugged tool steel construction  
\*25 & 50kg aluminium
- Designed for economical weighing
- Corrosion resistant electroless nickel plated
- Standard compression mount available
- Simple installation
- 3 year warranty
- Sealed to IP67 standards
- ISO 9001 certified manufacturing facilities





# Model LPX

**LOW PROFILE MINI DISK LOAD CELL 25, 50, 100, 250, 500, 1000kg 2.5, 5, 10, 25, 50t**

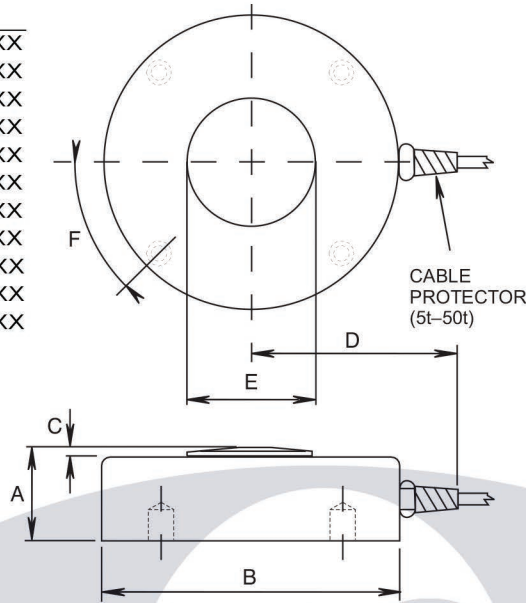
## Ordering Information

Model	Part Number
LPX-25	LXM0025T000XXX
LPX-50	LXM0050T000XXX
LPX-100	LXM0100T000XXX
LPX-250	LXM0250T000XXX
LPX-500	LXM0500T000XXX
LPX-1000	LXM1000T000XXX
LPX-2500	LXM2500T000XXX
LPX-5000	LXM5000T000XXX
LPX-10000	LXM1010TT000XXX
LPX-25000	LXM025TT000XXX
LPX-50000	LXM050TT000XXX

## Cable Colour Code

Excitation +ve	Red
Sense +ve	Brown
Excitation -ve	Black
Sense -ve	Blue
Signal +ve	Green
Signal -ve	White

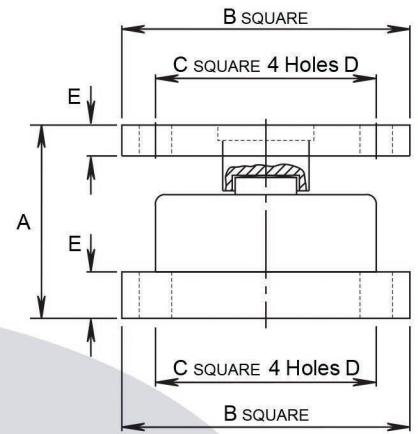
Note: Only 6 core cable has Sense (25kg-2500kg 4 core)



Cell fixing holes spaced at 90°  
A full range of accessories is available, please contact us for further details

## Accessories

The complete mount below is used with the LPX in compression load applications. This mount has convenient bolt holes located on both the top and bottom plates, integral side restraint is accommodated by the special restraining socket.



## Load Cell Dimensions

Capacity	A	B	C	D	E	F
25-1000kg	22	52	4	30	10	M5 x 0.8 on 44 PCD
2.5t	25	52	4	30	10	M5 x 0.8 on 44 PCD
5.0t	30	100	5	95	20	M6 x 1.0 on 85 PCD
10.0t	35	100	5	95	20	M6 x 1.0 on 85 PCD
25.0t	50	115	10	100	32	M12 x 1.75 on 90 PCD
50.0t	55	155	12	125	45	M12 x 1.75 on 130 PCD

## Accessory Dimensions

Capacity	A	B	C	D	E	F
25-1000kg	55	100	65	∅ 14	11.5	11.5
2.5t	58	100	65	∅ 14	11.5	11.5
5.0t	76	125	100	∅ 14	15	15
10.0t	81	125	100	∅ 14	15	15
25.0t	100	150	115	∅ 17	24	16
50.0t	115	180	135	∅ 17	31	16

Dimensions are shown in millimeters and capacities are in kgs/metric tons

## Specifications

Nominal capacity	25kg to 50000kg
Nominal output at capacity	2.0 mV/V ±0.1%
Factory calibration mode	compression
Linearity error	0.1%
Repeatability	0.07%
Zero return, creep (30 mins)	0.07%
Temperature Effect on Span/10° C	0.01%
Temperature Effect on Zero/10° C	0.07%
Insulation Resistance - brg. to gnd	>5000 M ohms
Insulation Resistance - cbl. to gnd	>1000 M ohms
Compensated temp. range	-10° C to 50° C
Output Resistance	351 ohms nominal

Input Resistance	410 ohms nominal
Service Load	100% of capacity
Safe Load	150% of capacity
Mechanical Failure	>300% of capacity
Recommended Excitation	5V to 20V ac/dc
Maximum Excitation	25V dc
Cable Type	4 or 6 conductor screened
Cable Length	25kg-2.5t 3 Metres 4 Core 5t-10t 5 Metres 6 Core 25t-50t 10 Metres 6 Core
Environmental Protection	IP67 Standard

Note: All specifications are a maximum, as a % (±) of full load, unless otherwise stated.