

Model LPC

LOW PROFILE UNIVERSAL LOAD CELL



A popular industry standard, universal low profile high accuracy load cell.

Compact in design, the LPC is eccentric load compensated, and temperature compensated -10 to 50°C.

Available in 7 different capacities from 1t to 100t.

Fully environmentally sealed and supplied with quality 6 core PVC screened cable.

Constructed in tool steel and corrosion resistant electroless nickel plated finish. The LPC directly replaces many International standard models and has a wide range of mounting accessories for both compression and tension applications.

Supplied with quality 6 core PVC screened cable.

Standard compression and tension accessories allow simple installation and enhanced lifelong accuracy.

APPLICATIONS

- Materials testing in compression or tension
- High capacity tension weighing, overhead weighing, cranes etc
- Low profile is idea for compression weighing of hoppers, tanks & silo weighers

FEATURES

- Low profile
- 0.05% accuracy
- Large capacity range 1t ~ 100t
- Comprehensive mounting accessory packages

Specifications

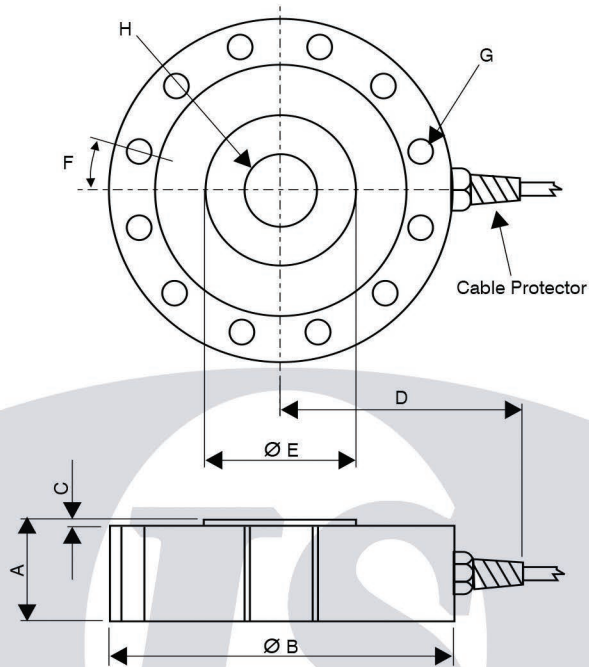
Note: All specifications are a maximum, as a % (\pm) of full load, unless otherwise stated.

Nominal Capacity	1t ~ 100t	Ultimate Load	300% of Rated Capacity
Signal Output at Capacity	2mV/V \pm 0.1%	Input Resistance	820 Ω Nominal
Linearity Error	< 0.05% FSO	Output Resistance	705 Ω Nominal
Non-Repeatability	< 0.02% FSO	Insulation Resistance (bridge to ground)	> 5000 M Ω at 100V DC
Combined Error	< 0.05% FSO	Insulation Resistance (cable to ground)	> 1000 M Ω at 100V DC
Hysteresis	< 0.05% FSO	Excitation Voltage (Recommended)	5 ~ 20V AC/DC
Creep/Zero Return (30 mins)	< 0.03% FSO	Excitation Voltage (Maximum)	25V AC/DC
Zero Balance	< 2.00% Capacity	Storage Temperature Range	-50 ~ 70°C
Temperature Effect on Span/10°C	< 0.02% FSO	Cable Type	5.5mm, Screened, PVC Sheath 6 Core x 0.24mm ² (24 AWG)
Temperature Effect on Zero/10°C	< 0.025% Capacity	Cable Length	3 Metres (1t ~ 5t) 5 Metres (10t ~ 25t) 10 Metres (50t ~ 100t)
Compensated Temperature Range	-10 ~ 50°C	Material	Tool steel
Operating Temperature Range	-30 ~ 70°C	Finish	Electroless Nickel Plated
Service Load	100% of Rated Capacity		
Safe Load	150% of Rated Capacity		

Ordering Information

A full range of optional accessories is available, please contact us for further details. Detailed dimension drawings for the accessories are available at our web site.

MODEL	Part Number	ACCESSORIES	Part Number				CABLES PACKS	Part Number
LPC-1t	LPM1000T000XXX		1t ~ 5t	10t ~ 25t	50t	100t	Junction box to indicator runs.	
LPC-2.5t	LPM2500T000XXX	Load Button	A-LB0.625	A-LB1.250	A-LB1.750	A-LB2.750	Available by the metre.	
LPC-5t	LPM5000T000XXX	Load Socket	A-LS50	A-LS75	A-LS100	A-LS150	10 Metres	A-6C5.5-0010
LPC-10t	LPM1010TT000XXX	Tension Base	A-TB-5	A-TB-25	A-TB-50	A-TB-100	50 Metres	A-6C5.5-0050
LPC-25t	LPM025TT000XXX	Mounting Set	M-LPC-5	M-LPC-25	M-LPC-50	M-LPC-100	100 Metres	A-6C5.5-0100
LPC-50t	LPM050TT000XXX		1t ~ 2.5t	5t	10t		Cable Joint Kit	A-CAB-JOINTSTD
LPC-100t	LPM100TT000XXX	Rod End	A-RE0-625-2N	A-RE0-625-5N	A-RE1-250-10N			
			25t	50t	100t			
			A-RE1-250-25N	A-RE1-750N	A-RE2-750N			



Load Cell Dimensions

	A	B	C	D	E	F	G	H	Weight
1t	35	105	3	95	35	22.5°	8 Holes Ø 6.5 PCD 88.9	5/8" - 18tpi UNF	1.6
2.5t	35	105	3	95	35	22.5°	8 Holes Ø 6.5 PCD 88.9	5/8" - 18tpi UNF	1.6
5t	35	105	3	95	35	22.5°	8 Holes Ø 6.5 PCD 88.9	5/8" - 18tpi UNF	1.6
10t	44.5	155	3	125	65	15°	12 Holes Ø 10.5 PCD 130.2	1 1/4" - 12tpi UNF	4.7
25t	44.5	155	3	125	65	15°	12 Holes Ø 10.5 PCD 130.2	1 1/4" - 12tpi UNF	4.7
50t	63.5	205	6.5	145	95	11.25°	16 Holes Ø 13 PCD 165.1	1 3/4" - 12tpi UNF	11.7
100t	90	280	13	185	125	11.25°	16 Holes Ø 17.5 PCD 228.6	2 3/4" - 8tpi UNF	29.5

Dimensions in mm unless otherwise shown Weight in kg

Accessories

PT Cable Colour Code

Excitation	+ve	Red
Sense	+ve	Brown
Excitation	-ve	Black
Sense	-ve	Blue
Signal	+ve	Green
Signal	-ve	White

