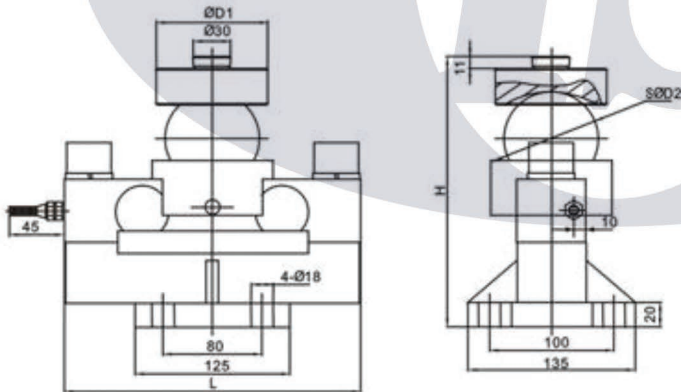


# QS-A



## Description



额定载荷 Rated Load	5,10,15,20,25,30,40,50t	工作温度范围 Operating Temp Range	-30~+70°C
灵敏度 Sensitivity	2.0±0.002mV/V	安全过载 Safe load limit	150,120(40~50t)%F.S
综合误差 Total error	C2 (合金钢) ; ±0.05%F.S(不锈钢)	极限过载 Over load limit	300,200(40~50t)%F.S
蠕变 (30分钟) Creep(30min)	±0.02%F.S	推荐激励电压 Recommend excitation	10~12V DC
零点平衡 Zero balance	±1%F.S	最大激励电压 Maximum excitation	15V DC
零点温度影响 TCO	±0.02%F.S/10°C	密封等级 Protection Class	IP67(5t),IP68(10~50t)
输出温度影响 TC SPAN	±0.02%F.S/10°C	材质 Construction	合金钢 Alloy Steel
输入阻抗 Input resistance	750±10Ω	电缆 Cable	Length=L:5.2m(5t),8m(10t),10m(15t),10/12m(20t);
输出阻抗 Output resistance	703±2Ω,703±5Ω(L≥15m)		12/15m(25t),12/16m(30t),16m(40~50t)
绝缘电阻 Insulation resistance	≥5000MΩ		Diameter: φ6mm