

# HM9A



- HM9A load cells are available in the capacities 10t~50t.
- Alloy steel construction, nickel plated, hermetically welded, oil proof, waterproof, anti-corrosive gas and medium making it suitable for all kinds of environments.
- Dual shear beam, suitable for electronic truck scales, railway scales and other electronic weighing devices.

### Features

- Capacity: 10t~50t
- High accuracy
- Alloy steel construction
- Easy installation and reliable performance

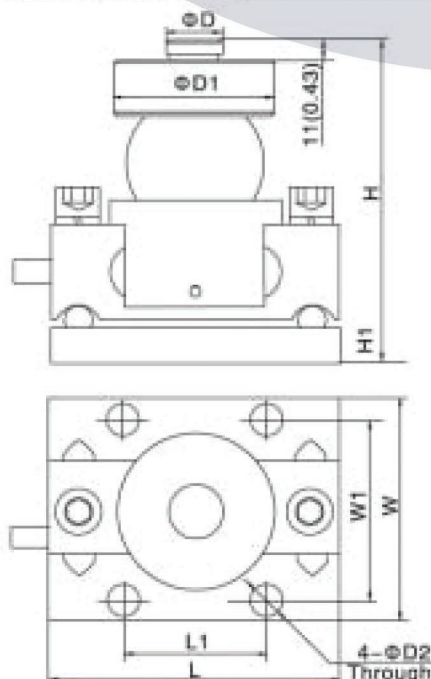
### Accessories

Button, steel ball, ball cup, base plate

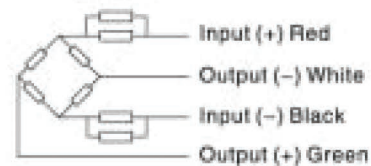
### Specifications

Capacity	t	10/15/20/25/30/40/40SE/50				
Accuracy		C1	C2	C3	A5M	B10M
Maximum number of verification intervals	$n_{max}$	1000	2000	3000	5000	10000
Minimum load cell verification interval	$n_{min}$	$E_{max}/3000$	$E_{max}/5000$	$E_{max}/10000$	$E_{max}/15000$	$E_{max}/10000$
Combined error	(%FS)	$\leq \pm 0.050$	$\leq \pm 0.030$	$\leq \pm 0.020$	$\leq \pm 0.026$	$\leq \pm 0.050$
Creep	(%FS/30min)	$\leq \pm 0.038$	$\leq \pm 0.024$	$\leq \pm 0.016$	$\leq \pm 0.017$	$\leq \pm 0.040$
Temperature effect on sensitivity	(%FS/10°C)	$\leq \pm 0.028$	$\leq \pm 0.017$	$\leq \pm 0.011$	$\leq \pm 0.013$	$\leq \pm 0.040$
Temperature effect on zero	(%FS/10°C)	$\leq \pm 0.047$	$\leq \pm 0.023$	$\leq \pm 0.015$	$\leq \pm 0.014$	$\leq \pm 0.020$
Output sensitivity	(mv/v)	2.0±0.002				
Input resistance	(Ω)	700±3.5				
Output resistance	(Ω)	703±3.5				
Insulation resistance	(MΩ)	≥5000(50VDC)				
Zero balance	(%FS)	1.5				
Temperature, compensated	(°C)	-10~+40				
Temperature, operating	(°C)	-35~+70				
Excitation, recommended	(V)	5~12(DC)				
Excitation, max	(V)	18(DC)				
Safe overload	(%FS)	150				
Ultimate overload	(%FS)	300				

### Outline Dimension mm (inch)



Dimension	L	L1	W	W1	W2	H	H1	D	D1	D2	SR
Capacity											
10t - 40tSE	160 (6.299)	80 (3.14)	125 (4.92)	100 (3.93)	56 (2.2)	179 (7.04)	19 (0.74)	30 (1.18)	88 (3.46)	18 (0.70)	76.2 (3)
40t - 50t	200 (7.87)	124 (4.88)	155 (6.1)	124 (4.88)	62 (2.44)	220 (8.66)	24 (0.94)	40 (1.57)	98 (3.85)	21 (0.82)	82 (3.22)



### Wiring:

Adopt shielded, 4 conductor cable:  $\phi 5.5\text{mm}$   
 Standard cable length: 12m  
 Cable type and cable length for customers own applications are available on requests.