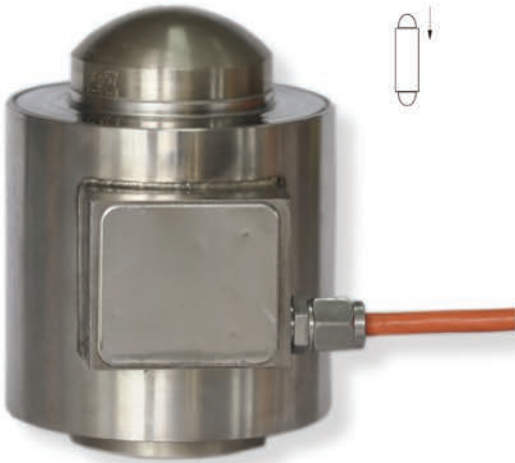


MK - PR-6201

Part 1

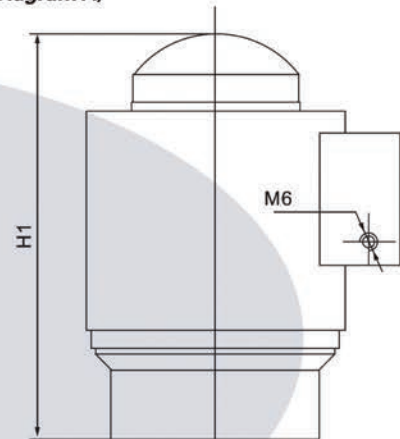


FEATURE:

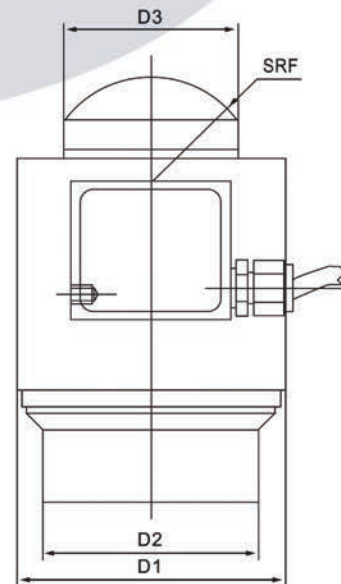
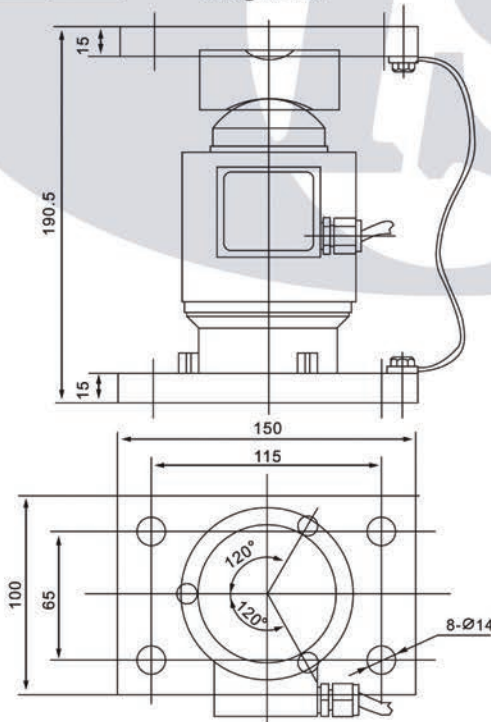
- Easy to install
- Well-Proven rocker pin design
- Easy corner adjustment by matched load cell output
- Wide temperature range
- Resistant against vibrations
- Hermetically sealed IP68
- 5 core high quality orange cable
- Truck scale, railway scales application

Rated Load (t)	2-5	10-50
D1	Φ87	Φ87
D2	Φ70	Φ70
D3	Φ24	Φ54
H1	138.5	138.5
F	15	35

(Diagram A)



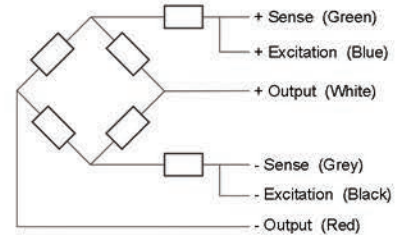
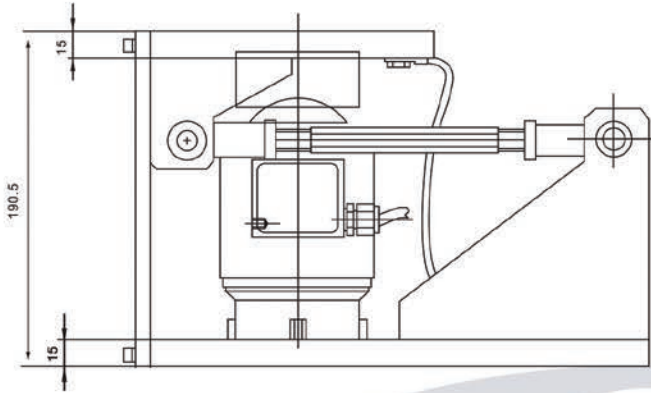
(Diagram B)



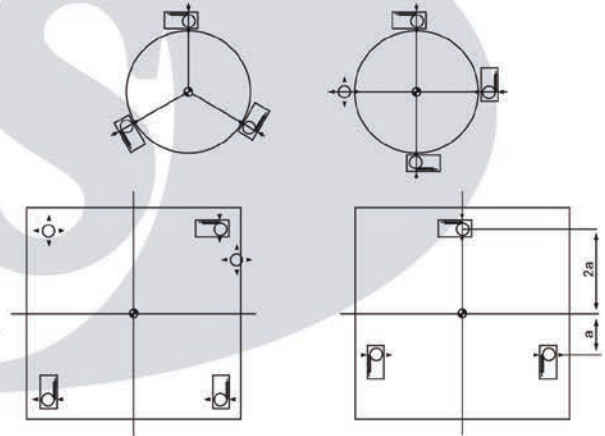
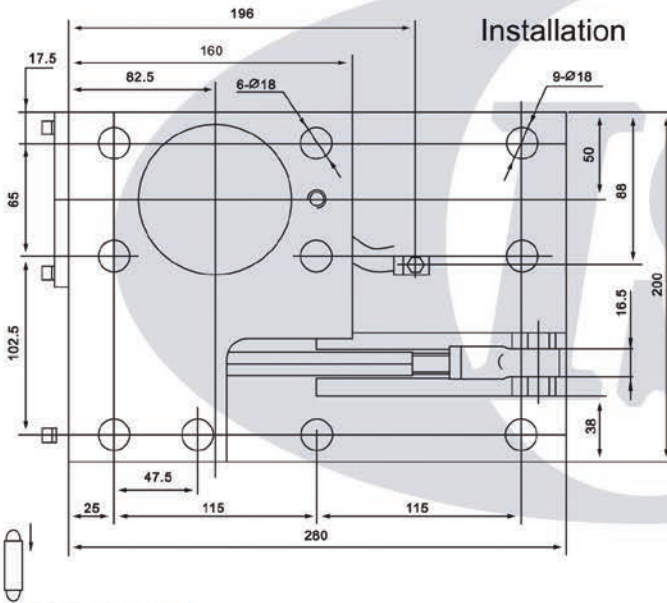
MK - PR-6201

Part 2

Module accessories



Installation



SPECIFICATION

Rated capacities (E _{max})	2,3,5,15,20,25,30,40,50t	Temperature, compensated	-10°C~+40°C
Rated Output	1.0±0.002mV/V	Temperature, operating	-30~+70°C
Total error	±0.03%F.S	Maximum safe overload	150%F.S
Creep error (30min)	±0.02%F.S	Ultimate overload	200%F.S
Zero balance	±1%F.S	Excitation, recommended	10~12V DC
TC ZERO	±0.03%F.S/10°C	Excitation, maximum	15V DC
TC SPAN	±0.03%F.S/10°C	Protection class	IP68
Input resistance	650±10Ω	Construction	High Quality Alloy Steel
Output resistance	610±3Ω	Cable	Length:14m
Insulation resistance	≥5000MΩ		Diameter: Φ 6mm